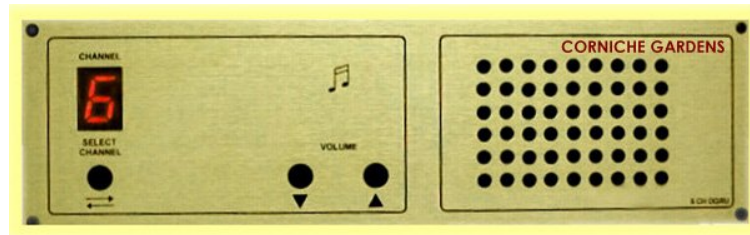




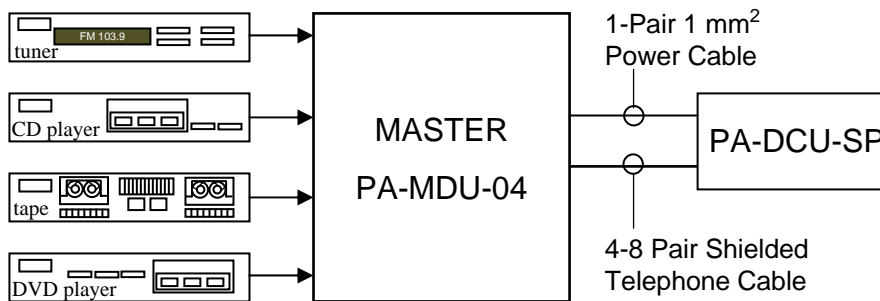
INTEGRAL TECHNOLOGIES

PA-DCU-SP

Digital control unit with speaker



Typical Wiring Diagram for 4-Stereo Programs:



Features:

PA-DCU-SP Unit is similar to PA-DCU-XX series except that it includes speaker. It enables the user to Select 4/8 Programs Respectively and Control the Volume. It can control external amplified speakers. Available in Gold, Silver, Black & White Colors to Match the Project Requirements. Special Colors and Custom Print is Available on Request.

Available As:

- Volume Control ONLY units (single program)
- Volume Control + Program Selector units

Specifications:

Programs: 4/8
Volume: Continuous Controlled
Indication: LED Channel Selection
Power: Depends on the speakers power.
Capacity: Depends on speaker
Cable: By Telephone Cable
Dimensions: As per customers requirements