



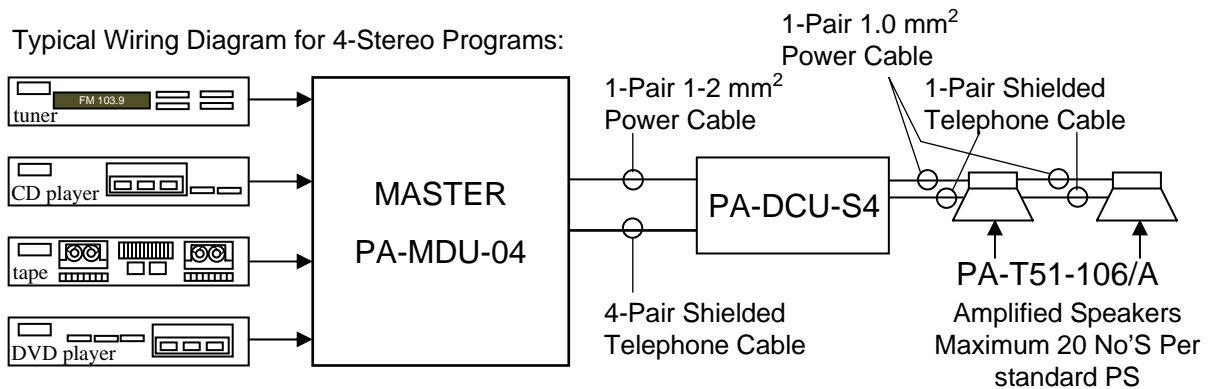
INTEGRAL TECHNOLOGIES

PA-DCU-XX

Digital control unit



Typical Wiring Diagram for 4-Stereo Programs:



Features:

PA-DCU-4/8 Unit Enables the user to Select 4/8 Programs Respectively and Control the Volume. It can control virtually any type of amplified speakers. Available in Gold, Silver, Black & White Colors to Match Available in Gold, Silver, Black & White Colors to Match the Project Requirements. Special Colors and Custom Print is Available on Request.

Available As:

- Volume Control ONLY units (single program)
- Volume Control + Program Selector units

Specifications:

Programs: 4/8
Volume: Continuous Controlled
Indication: LED Channel Selection
Power: Depends on the speakers power.
Capacity: 20 Amplified Speakers
Cable: By Telephone Cable
Dimensions: As per customer's requirements